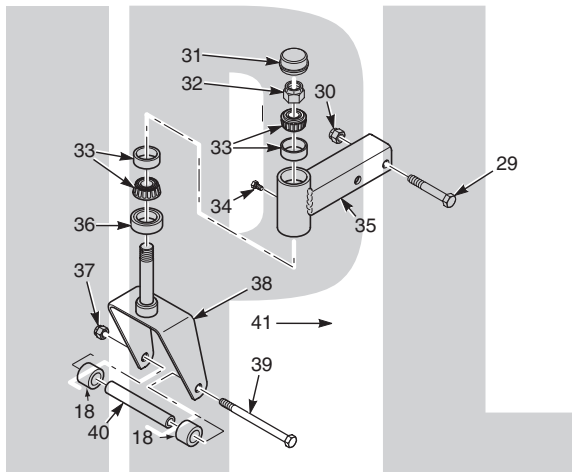


SCAG[®]

POWER EQUIPMENT



ILLUSTRATED PARTS MANUAL



Model SCZ Cheetah

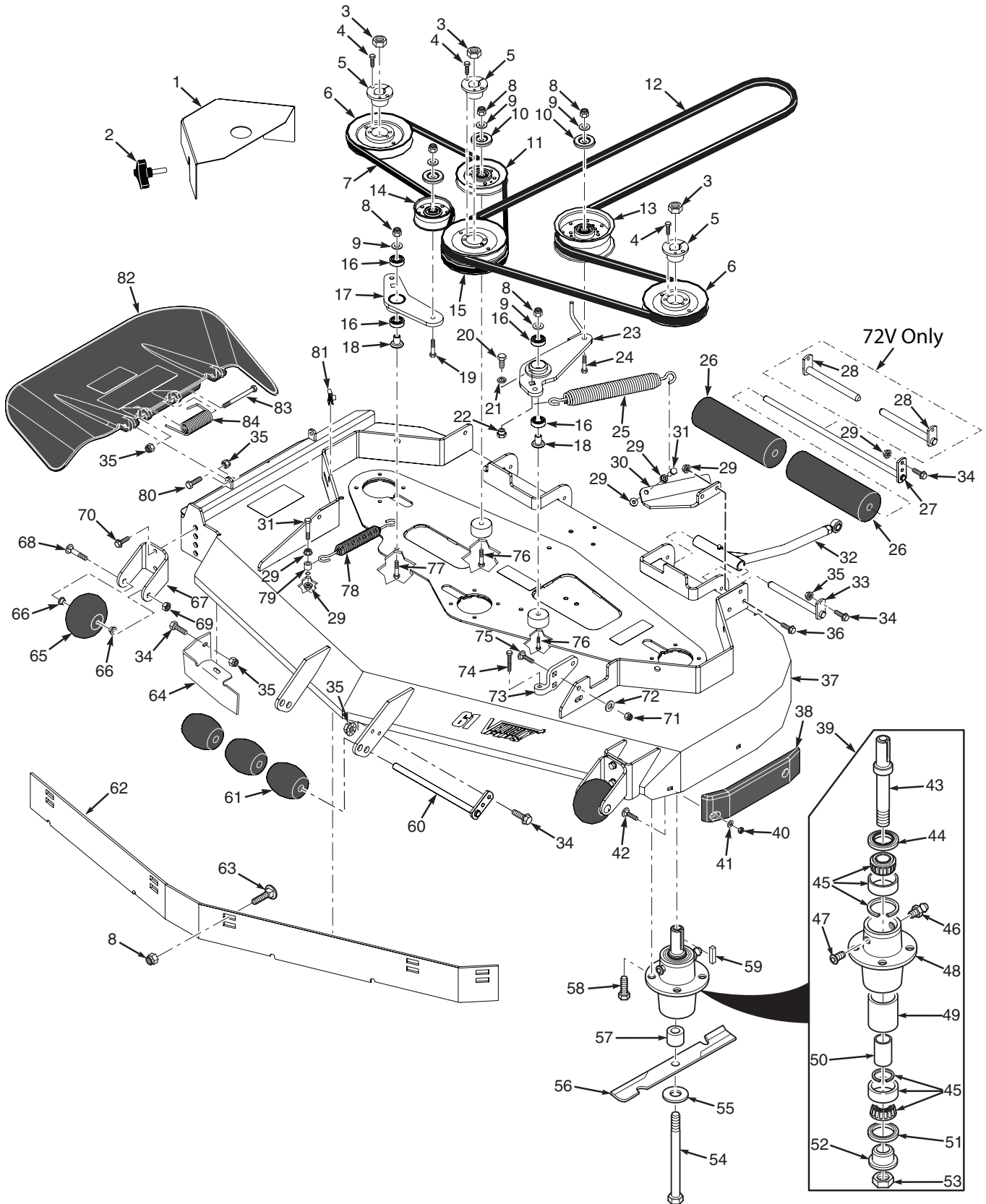
THIS MANUAL CONTAINS THE ILLUSTRATED PARTS LIST FOR MODELS:

SCZ61V-31FX	with a serial number of F500001 to F5099999
SCZ61V-32BV	with a serial number of F5100001 to F5199999
SCZ72V-34FX	with a serial number of F5200001 to F5299999

Table of Contents

61V & 72V CUTTER DECKS	2
CUTTER DECK CONTROLS	4
SHEET METAL COMPONENTS	6
SCZ ROLL-OVER PROTECTION SYSTEM.....	8
SCZ SUSPENSION SYSTEM	10
SCZ STEERING & FOOT PLATFORM COMPONENTS.....	12
SCZ DRIVE SYSTEM COMPONENTS	14
SCZ SPEED CONTROL COMPONENTS	16
SCZ BRAKE COMPONENTS	18
SCZ HYDRAULIC SYSTEM	20
SCZ FUEL SYSTEM - EPA PHASE 2	22
SCZ FUEL SYSTEM - EPA PHASE 3	24
SCZ ENGINE & ATTACHING PARTS	26
ZT-5400 TRANSAXLE ASSEMBLY.....	28
SCZ ELECTRICAL SYSTEM	30
REPLACEMENT DECALS AND INFORMATION PLATES	32
SCZ ELECTRICAL SCHEMATIC	34

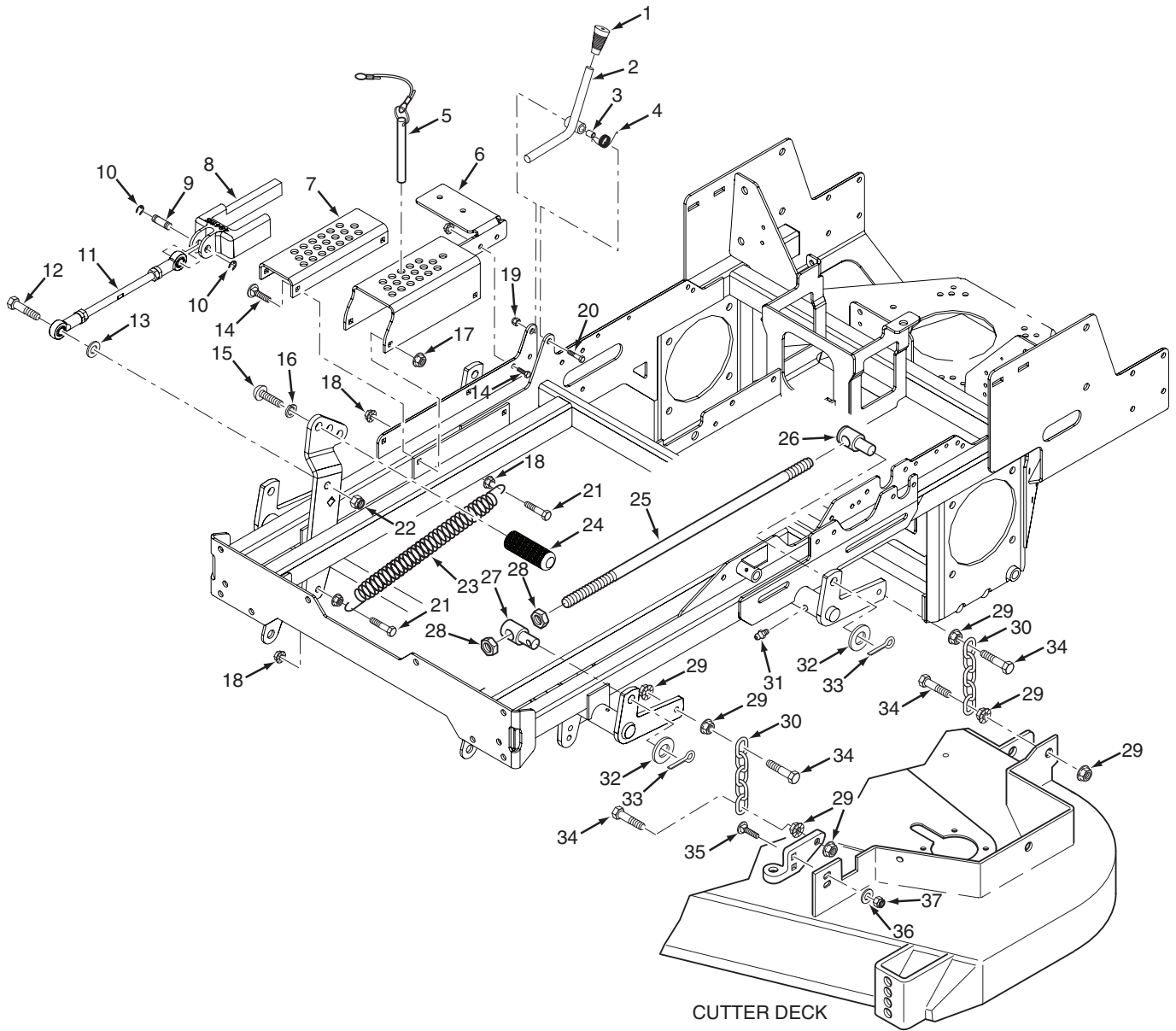
61V & 72V CUTTER DECKS



61V & 72V CUTTER DECKS

Ref. No.	Part No.	Description	61	72	Ref. No.	Part No.	Description	61	72
1	425431	Belt Cover, 61V	x		45	481022	Bearing Assembly	x	x
	425417	Belt Cover, 72V		x	46	48114-04	Grease Fitting	x	x
2	481625-01	Knob w/Stud	x	x	47	48677	Relief Fitting, Spindle	x	x
3	04020-09	Nut, 5/8-11 UNC	x	x	48	43644	Spindle Housing	x	x
4	04001-172	Bolt, Hex Head 1/4-20 x 1"	x	x	49	43312	Spacer, Outside	x	x
5	48926	Tapered Hub, 1.125" Bore	x	x	50	43296	Spacer, Inside	x	x
6	483286	Pulley, 6.32" Dia.	x		51	481025	Seal, Bottom	x	x
	484050	Pulley, 7.50" Dia.		x	52	43297	Spindle Bushing	x	x
7	483157	Belt	x		53	481035	Nut, Special 1-1/16 - 18	x	x
	484159	Belt		x	54	04001-41	Bolt, Hex Head 5/8-11 x 9-1/2"	x	x
8	04021-09	Nut, Elastic Stop 3/8-16	x	x	55	04043-06	Flatwasher, 5/8-.688 x 1.75 x .134 HD	x	x
9	04043-04	Flatwasher, 3/8-.391 x .938 x .105	x	x	56	482881	Cutter Blade, 21"	x	
10	424367	Dust Shield	x	x		482882	Cutter Blade, 24-1/2"		x
11	48181	Pulley, Idler	x	x	57	43590	Spacer, Spindle Bottom	x	x
12	483741	Belt, Deck Drive	x		58	04001-176	Bolt, Hex Head 5/16-18 x 1-3/4" Grade 8	x	x
	484088	Belt, Deck Drive		x	59	04063-08	Key, 1/4 x 1/4 x 2"	x	x
13	483210	Pulley, 5" Idler	x	x	60	45944	Shaft Weldment	x	x
14	483415	Pulley, 3-1/2" Idler	x	x	61	482295	Wheel, Anti-Scalp	x	x
15	483287	Pulley, 6.32" Dia. Double Groove	x		62	424841	Baffle, Flange - 61V	x	
	484051	Pulley, 7.50" Dia. Double Groove		x		424917	Baffle, Flange - 72V		x
16	48224	Bearing	x	x	63	04003-23	Bolt, Carriage 3/8-16 x 1"	x	x
17	461946	Idler Arm Assy. (incl. #16)	x	x	64	424209	Baffle, Turbo - 61V	x	
18	43689	Pivot, Idler	x	x		424856	Baffle, Turbo - 72V		x
19	04001-31	Bolt, Hex Head 3/8-16 x 2-1/2"	x	x	65	481632	Wheel, Anti-Scalp	x	x
20	04001-17	Bolt, Hex Head 7/16-14 x 1"	x	x	66	48100-15	Bushing, .376 ID Oilite	x	x
21	04030-05	Lockwasher, 7/16" Spring	x	x	67	422478	Bracket, Anti-Scalp Wheel	x	x
22	43686	Boss, Spring Anchor	x	x	68	04003-26	Bolt, Carriage 3/8-16 x 4"	x	x
23	461940	Idler Arm Assy. (incl. #16)	x	x	69	04021-05	Nut, Center Lock 3/8-16	x	x
24	04001-54	Bolt, Hex Head 3/8-16 x 3"	x	x	70	04017-27	Bolt, Hex Head 3/8-16 x 1" Serrated Flange	x	x
25	483246	Spring, LH Cutter Deck	x	x	71	04021-11	Nut, Elastic Stop 7/16-14	x	x
26	48038	Guide Roller	x	x	72	04040-07	Flatwasher, 1/2-.531 x 1.062 x .095	x	x
27	451118	Shaft Weldment	x		73	461929	Lever Assembly, Deck Level	x	x
28	45944	Shaft Weldment		x	74	483167	Bolt, Deck Adjust	x	x
29	04019-04	Nut, Serrated Flange 3/8-16	x	x	75	04003-40	Bolt, Carriage 7/16-14 x 1-1/4"	x	x
30	425335	Spring Mount, SCZ	x	x	76	04001-54	Bolt, Hex Head 3/8-16 x 3"	x	x
31	04001-136	Bolt, Hex Head 3/8-16 x 1-1/2" Grade 8	x	x	77	04001-46	Bolt, Hex Head 3/8-16 x 2-1/4"	x	x
32	462225	Pusharm Assy., LH	x	x	78	483703	Deck Spring	x	x
	462226	Pusharm Assy., RH	x	x	79	43063	Spacer	x	x
33	451240	Rod Weldment, Pusharm	x	x	80	04001-12	Bolt, Hex Head 5/16-18 x 1-3/4"	x	x
34	04001-09	Bolt, Hex Head 5/16-18 x 1"	x	x	81	461846	Discharge Chute Assy., 61V	x	
35	04021-10	Nut, Elastic Stop 5/16-18	x	x		462132	Discharge Chute Assy., 72V		x
36	04001-19	Bolt, Hex Head 3/8-16 x 1"	x	x	82	04001-108	Bolt, Hex Head 5/16-18 x 4-1/2"	x	x
37	462266	Cutter Deck w/Decals	x		83	483378	Spring, Discharge Chute	x	x
	46xxxx	Cutter Deck w/Decals		x					
38	483176	Wear Pad	x						
	483174	Wear Pad		x					
39	461663	Spindle Assembly	x	x					
40	04021-04	Nut, Center Lock 5/16-18	x	x					
41	04040-04	Flatwasher, 5/16-.344 x .688 x .065	x	x					
42	04003-12	Bolt, Carriage 5/16-18 x 3/4"	x	x					
43	43589	Shaft, Spindle	x	x					
44	481024	Seal, Top	x	x					

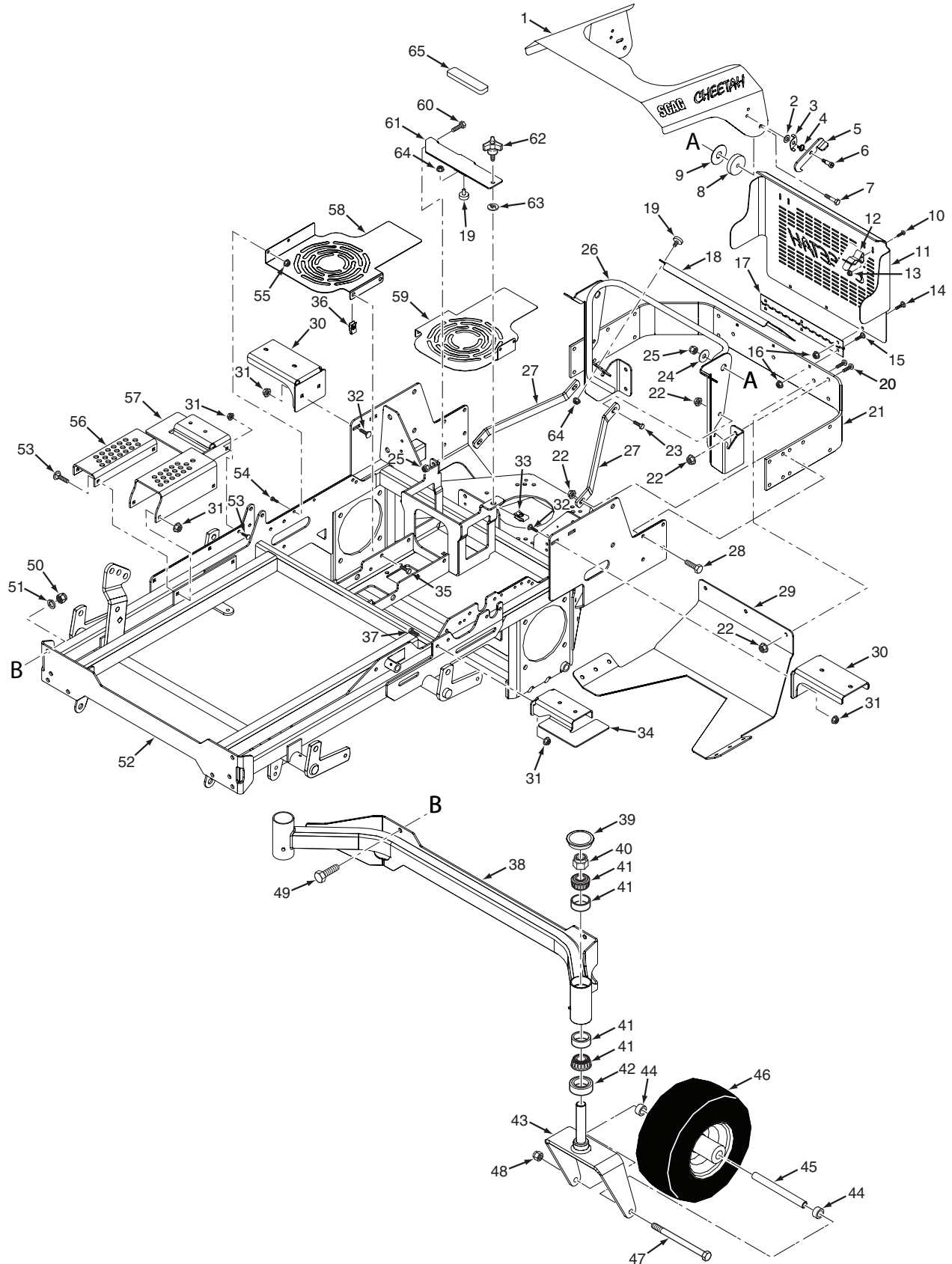
CUTTER DECK CONTROLS



CUTTER DECK CONTROLS

Ref. No.	Part No.	Description
1	481477	Grip, Deck Latch
2	462253	Deck Latch Assembly w/Grip
3	43668	Spacer, Deck Latch
4	484191	Spring, Torsion Return Lever
5	483345	Ring Pin Assembly w/Lanyard
6	425574	Adjustment Bracket, Upper Cut Height
7	425361	Adjustment Bracket, Lower Cut Height
8	484115	Slide, Height Adjustment
9	43487	Pin, Deck Lift
10	04050-10	Retaining Ring, 1/2" External "E"
11	484141	Linkage, Deck Lift
	481765	Rod End, 1/2-20 RH Female
	481766	Rod End, 1/2-20 LH Female
	04020-27	Nut, 1/2-20 UNF Jam
	04020-28	Nut, 1/2-20 UNF LH Jam
12	04001-72	Bolt, Hex Head 1/2-13 x 2"
13	04040-07	Flatwasher, 1/2-.531 X 1.062 X .095
14	04003-04	Bolt, Carriage 5/16-18 x 1"
15	04105-01	Capscrew, 5/8-11 x 1-1/2"
16	04030-07	Lockwasher, 5/8" Spring
17	04019-03	Nut, Serrated Flange 5/16-18
18	04019-04	Nut, Serrated Flange 3/8-16
19	04021-09	Nut, Elastic Stop 3/8-16
20	04001-22	Bolt, Hex Head 3/8-16 x 2-3/4"
21	04001-136	Bolt, Hex Head 3/8-16 x 1-1/2" Grade 8
22	04021-07	Nut, Elastic Stop 1/2-13
23	481598	Spring, Deck Lift
24	424504	Pedal, Foot Lift
25	04004-44	Stud, 5/8-11 x 22"
26	43526	Swivel Joint, LH
27	43527	Swivel Joint, RH
28	04020-09	Nut, 5/8-11 UNC
29	04019-04	Nut, Serrated Flange 3/8-16
30	48540	Chain
31	48114-04	Grease Fitting, 1/4-28 Self Tap
32	04040-09	Flatwasher, 5/8"
33	04061-07	Cotter Pin, 3/16 x 1"
34	04001-20	Bolt, Hex Head 3/8-16 x 1-1/2"
35	04003-40	Bolt, Carriage 7/16-14 x 1-1/4"
36	04040-11	Flatwasher, 7/16-.500 x 1.25 x .083
37	04021-11	Nut, Elastic Stop 7/16-14

SHEET METAL COMPONENTS

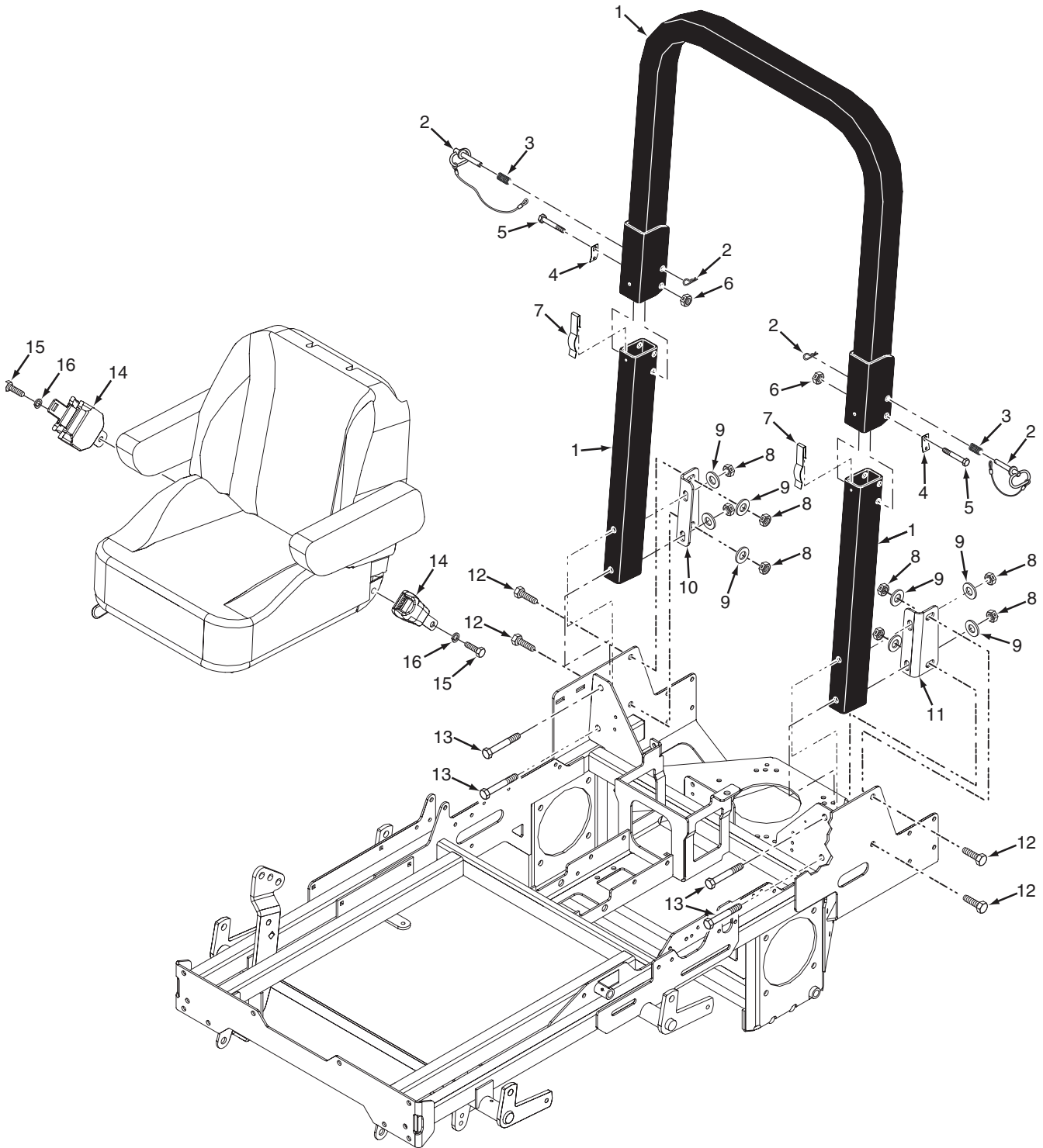


SHEET METAL COMPONENTS

Ref. No.	Part No.	Description
1	462265	Hood Assembly w/Decals
2	04040-05	Flatwasher, 3/8-.406 x .812 x .065
3	424634	Lock, Hood Latch
4	483507	Spring, Hood Latch
5	424633	Latch, Hood
6	04009-07	Bolt, Shoulder
7	04001-21	Bolt, Hex Head 3/8-16 x 1-3/4"
8	43740	Spacer, Hood
9	483471	Disc, Anti-Friction
10	04010-30	Screw, #8-32 x 1/2"
11	425309	Belt Guard, Rear
12	484194	Spring Clip
13	04021-17	Nut, Elastic Stop #8-32
14	04003-07	Bolt, Carriage 1/4-20 x 1/2"
15	04003-02	Bolt, Carriage 1/4-20 x 3/4"
16	04019-02	Nut, Serrated Flange 1/4-20
17	484143	Hinge, Belt Cover
18	425400	ROPS Heatshield
19	481284	Bumper, Rubber
20	04104-01	Button Head Capscrew, Torx 3/8-16 x 1"
21	425232	Bumper, Rear
22	04019-04	Nut, Serrated Flange 3/8-16
23	04001-19	Bolt, Hex Head 3/8-16 x 1"
24	04041-11	Flatwasher, 3/8-.406 x 1.5 x 7 Ga.
25	04021-09	Nut, Elastic Stop 3/8-16
26	452145	Mount Weldment, Hood
27	425408	Brace, Hood Support
28	04001-32	Bolt, Hex Head 3/8-16 x 1-1/4"
29	425579	SCZ Skid Plate, Kawasaki FX
	425582	SCZ Skid Plate, Briggs & Stratton
30	425350	Mounting Bracket, Fuel Tank Rear
31	04019-03	Nut, Serrated Flange 5/16-18
32	04003-12	Bolt, Carriage 5/16-18 x 3/4"
33	04110-03	U-Nut, 3/8-16
34	425573	Mounting Bracket, Fuel Tank Front
35	04001-14	Bolt, Hex Head 1/4-20 x 1"
36	04110-01	U-Nut, 1/4-20
37	04003-12	Bolt, Carriage 5/16-18 x 3/4"
38	452193	Caster Support Weldment, 61V
	452194	Caster Support Weldment, 72V
39	484195	Cap, Grease
40	04021-20	Nut, Elastic Stop 1"-14
41	481657	Bearing w/Race
42	481025	Seal, 2" OD x 1.625 Bore
43	451416	Yoke Weldment
44	43584	Spacer, Caster Wheel
45	43583	Sleeve, Caster Wheel

Ref. No.	Part No.	Description
46	9278	Caster Wheel Assy.
	482621	Bearing
	48114-10	Grease Fitting
47	04001-167	Bolt, Hex Head 1/2-13 x 9-1/2"
48	04021-07	Nut, Elastic Stop 1/2-13
49	04001-28	Bolt, Hex Head 7/16-14 x 1-1/4"
50	04021-11	Nut, Elastic Stop 7/16-14
51	04030-05	Lockwasher, 7/16-" Spring
52	462260	Mainframe Assy. w/Decals
53	04003-04	Bolt, Carriage 5/16-18 x 1"
54	04001-01	Bolt, Hex Head 1/4-20 x 3/4"
55	04019-02	Nut, Serrated Flange 1/4-20
56	425361	Adjustment Bracket, Lower Cut Height
57	425574	Adjustment Bracket, upper Cut Height
58	425300	Fan Cover, RH
59	425299	Fan Cover, LH
60	04001-19	Bolt, Hex Head 3/8-16 x 1"
61	425422	Cover, Battery Box
62	481325-01	Knob w/Stud
63	04024-02	Nut, Push-On 3/8"
64	04019-03	Nut, Serrated Flange 5/16-18
65	48661	Pad, Rubber

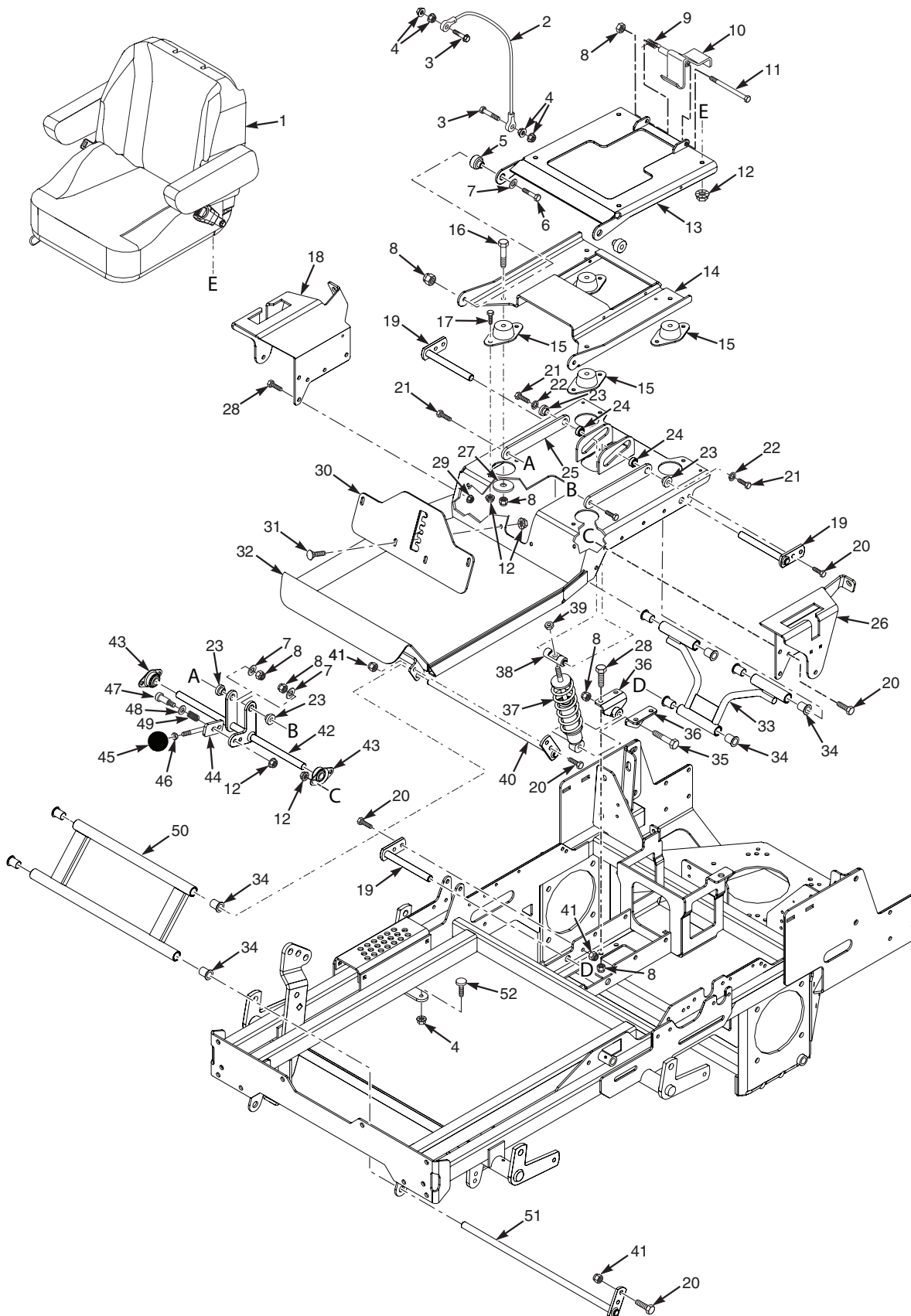
SCZ ROLL-OVER PROTECTION SYSTEM



SCZ ROLL-OVER PROTECTION SYSTEM

Ref. No.	Part No.	Description
1	462246	ROPS, Foldable SCZ
2	484168	Pin Assembly (incl. #3, #4)
3	484170	Spring, ROPS
4	484169	Clip, ROPS
5	04001-90	Bolt, Hex Head 1/2-13 x 3-1/4"
6	04021-07	Nut, Elastic Stop 1/2-13
7	484167	Spring Clip, ROPS
8	04021-19	Nut, Center Lock 1/2-13
9	04040-13	Flatwasher, 1/2-.562 x 1.375 x .109
10	425341	ROPS Mount, RH Rear
11	425340	ROPS Mount, LH Rear
12	04001-70	Bolt, Hex Head 1/2-13 x 1-1/4"
13	04001-194	Bolt, Hex Head 1/2-13 x 4-1/4"
14		Seat Belt, Retractable
15		Bolt, Hex Head
16		Washer,

SCZ SUSPENSION SYSTEM

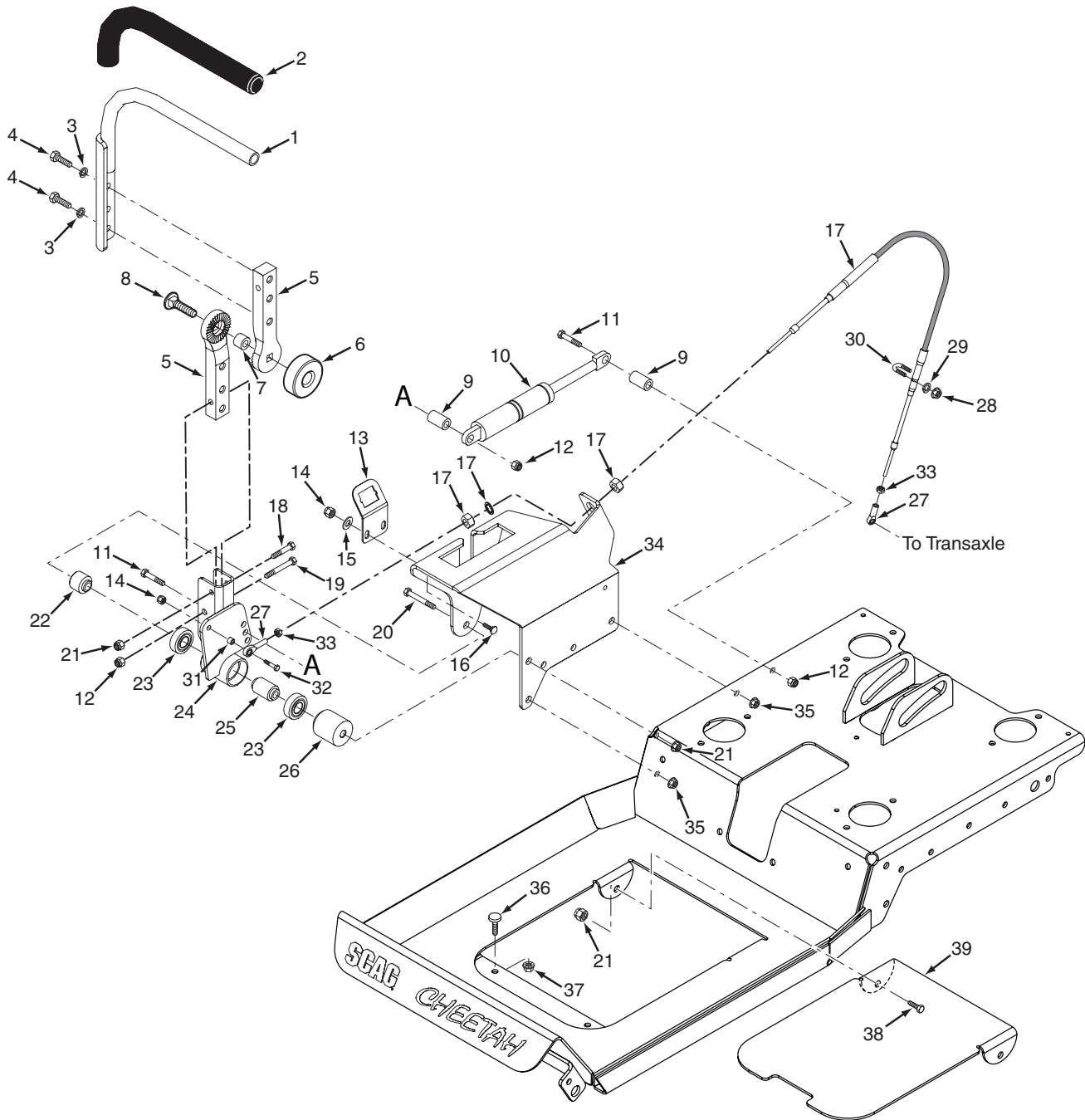


SCZ SUSPENSION SYSTEM

Ref. No.	Part No.	Description
1	484125	Seat Assembly
2	483559	Cable, Seat Stop
3	04001-59	Bolt, Hex Head 1/4-20 x 1-1/4"
4	04019-02	Nut, Serrated Flange 1/4-20
5	43606	Sleeve, Seat Base Mount
6	04001-45	Bolt, Hex Head 3/8-16 x 2"
7	04041-07	Flatwasher, 3/8-.391 x .938 x .105
8	04021-09	Nut, Elastic Stop 3/8-16
9	483371	Spring, Seat Latch
10	452143	Latch Weldment, Seat
11	04001-100	Bolt, Hex Head 3/8-16 x 6"
12	04019-03	Nut, Serrated Flange 5/16-18
13	452147	Seat Plate Weldment
14	462262	Seat Mounting Plate Weldment w/Decal
15	484148	Isolator, Seat
16	04001-46	Bolt, Hex Head 3/8-16 x 2-1/4"
17	04001-08	Bolt, Hex Head 5/16-18 x 3/4"
18	462264	Bracket Weld., Control Lever RH w/Decal
19	452152	Shaft Weldment, Rear Op. Platform Pivot
20	04001-09	Bolt, Hex Head 5/16-18 x 1"
21	04001-20	Bolt, Hex Head 3/8-16 x 1-1/2"
22	04030-04	Lockwasher, 3/8" Spring
23	43086	Bushing
24	484035	Bearing
25	425257	Link, Suspension Seat Tensioner
26	462263	Bracket Weld., Control Lever LH w/Decal

Ref. No.	Part No.	Description
27	04041-38	Flatwasher, 3/8-.406 x 2.25 x .188
28	04001-19	Bolt, Hex Head 3/8-16 x 1"
29	04019-04	Nut, Serrated Flange 3/816
30	462267	Bracket, Suspension Adjustment w/Decal
31	04003-04	Bolt, Carriage 5/16-18 x 1"
32	46xxxx	Seat Mounting Base Weldment w/Decal
33	462212	Suspension Pivot Assembly, Rear
34	483453-14	Bearing
35	04001-22	Bolt, Hex Head 3/8-16 x 2-3/4"
36	452154	Mount Weldment, Shock
37	484032	Shock Absorber, Suspension
38	484150	Mount, Suspension Shock
39	04021-18	Nut, Elastic Stop 3/8-24 Grade 8
40	452151	Pin Weldment, Op Platform Upper Pivot
41	04021-10	Nut, Elastic Stop 5/16-18
42	452107	Pivot Weldment, Suspension Tensioner
43	48796	Bearing, Self Align 5/8" ID
44	452106	Adjustment Lever, Suspension
45	484010	Knob
46	04020-12	Nut, Jam 3/8-16
47	04009-11	Bolt, Shoulder 3/8 x 1"
	04009-14	Bolt, Shoulder 3/8 x 3/8"
48	04050-05	Flatwasher, 3/8-.406 x .812 x .065
49	483601	Spring
50	462211	Suspension Pivot Assembly, Front
51	452150	Pin Weldment, Op Platform Lower Pivot
52	484201	Bumper, Rubber

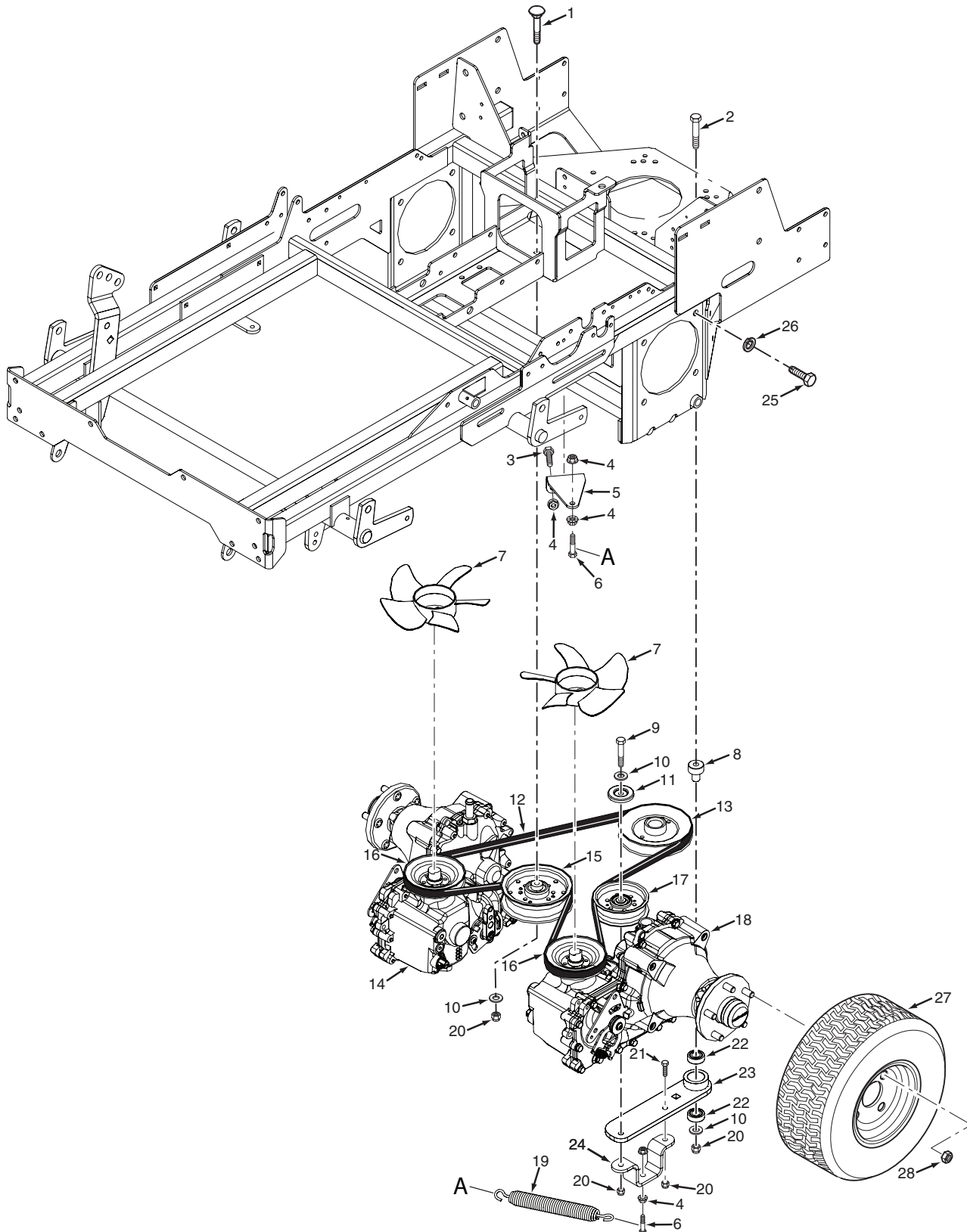
SCZ STEERING & FOOT PLATFORM COMPONENTS



SCZ STEERING & FOOT PLATFORM COMPONENTS

Ref. No.	Part No.	Description
1	461914	Handle Bar w/Grip, LH
	461923	Handle Bar w/Grip, RH
2	482340	Grip, Control Handle
3	04030-03	Lockwasher, 5/16-” Spring
4	04001-09	Bolt, Hex Head 5/16-18 x 1’
5	483238	Pivot, Control Lever
6	483269	Knob, Control Handle
7	483250	Spacer, Rubber
8	04003-05	Bolt, Carriage 3/8-16 x 1-1/2”
9	43833	Spacer
10	484193	Damper
11	04001-17	Bolt, Hex Head 5/16-18 x 2”
12	04021-10	Nut, Elastic Stop 5/16-18
13	425389	Bracket, Operator Presence Switch
14	04021-08	Nut, Elastic Stop 1/4-20
15	04040-14	Flatwasher, 1/4-.312 x .750 x .065
16	04003-02	Bolt, Carriage 1/4-20 x 3/4”
17	484114	Control Cable, Hydro
18	04001-45	Bolt, Hex Head 3/8-16 x 2”
19	04001-17	Bolt, Hex Head 5/16-18 x 2”
20	04001-100	Bolt, Hex Head 3/8-16 x 6”
21	04021-09	Nut, Elastic Stop 3/8-16
22	43607	Spacer, Controls
23	48224	Bearing
24	452110	Pivot Weldment, Control Arm LH
	452111	Pivot Weldment, Control Arm RH
25	43600	Spacer, Bearing
26	43823	Spacer, Controls
27	484040	Rod End, 1/4-28 RH Thread
28	04020-31	Nut, Jam 5/16-24 UNF-2B
29	04030-03	Lockwasher, 5/16” Spring
30	04100-04	U-Bolt, 5/16-24
31	43827	Spacer
32	04001-59	Bolt, Hex Head 1/4-20 x 1-1/4”
33	04020-22	Nut, Jam 1/4-28 UNF
34	462264	Bracket Weldment, Control Lever RH w/Decal
	462263	Bracket Weldment, Control Lever LH w/Decal
35	04019-04	Nut, Serrated Flange 3/8-16
36	484201	Bumper, Rubber
37	04019-03	Nut, Serrated Flange 5/16-18
38	04001-19	Bolt, Hex Head 3/8-16 x 1”
39	425566	Cover, Footplate

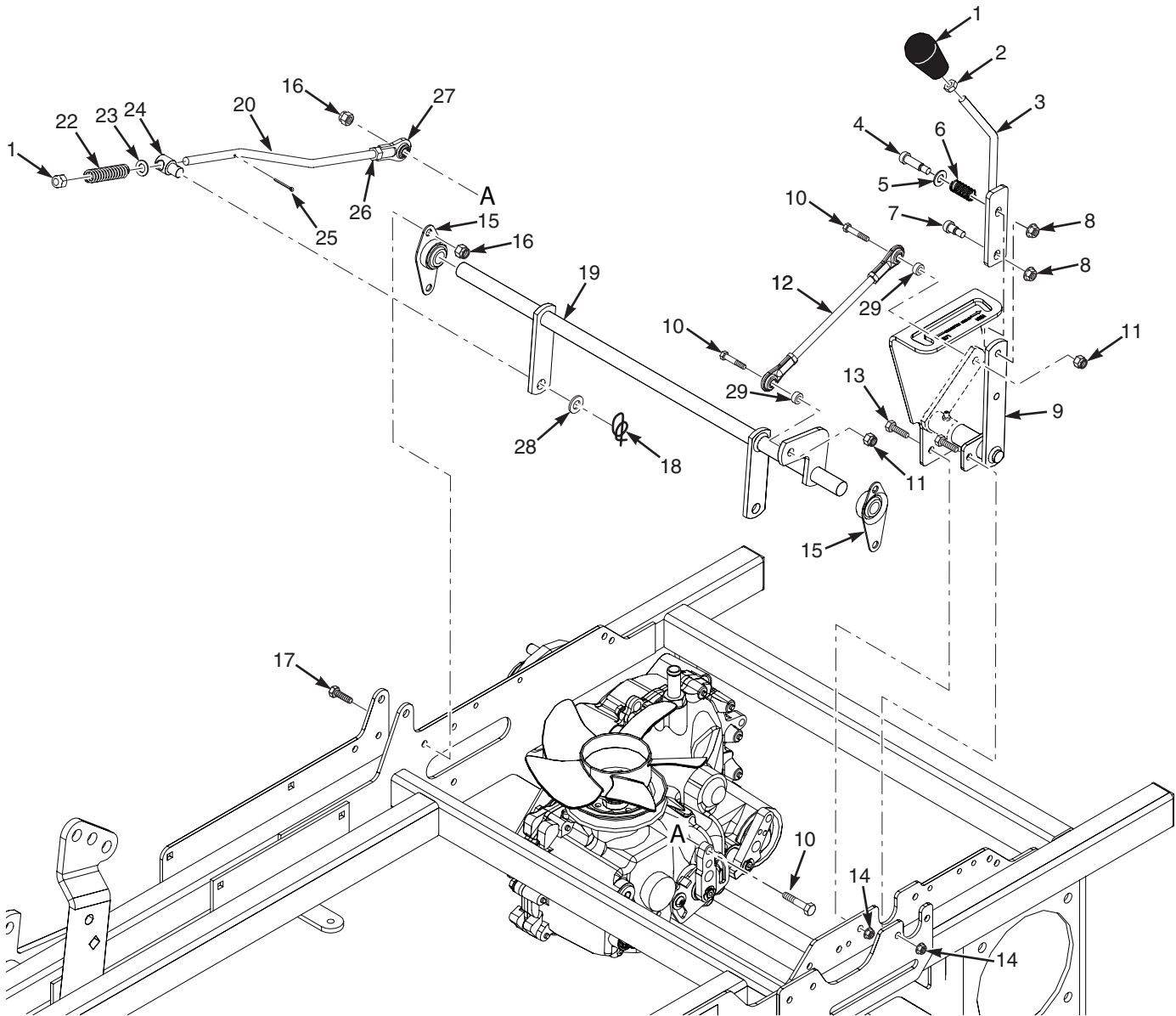
SCZ DRIVE SYSTEM COMPONENTS



SCZ DRIVE SYSTEM COMPONENTS

Ref. No.	Part No.	Description
1	04003-21	Bolt, Carriage 3/8-16 x 2-1/2"
2	04001-54	Bolt, Hex Head 3/8-16 x 3"
3	04001-19	Bolt, Hex Head 3/8-16 x 1"
4	04019-04	Nut, Serrated Flange 3/8-16
5	425385	Mounting Bracket, Spring - Idler Arm
6	04001-136	Bolt, Hex Head 3/8-16 x 1-1/2" Grade 8
7	HG71906	Kit, Fan / Pulley
8	43504	Pivot, Idler Long
9	04001-22	Bolt, Hex Head 3/8-16 x 2-3/4"
10	04043-04	Flatwasher, 3/8-.391 x .938 x .105 HD
11	424367	Dust Shield
12	483165	Belt, Pump Drive
13	484098	Pulley, 5.80" Dia. - 1.125 Bore
14	483798	Transaxle, RH
15	483215	Pulley, 5" Dia. Idler
16	HG71906	Kit, Fan / Pulley
17	484128	Pulley, 4" Dia. Idler
18	483797	Transaxle, LH
19	484202	Spring, Idler Arm
20	04021-09	Nut, Elastic Stop 3/8-16
21	04001-32	Bolt, Hex Head 3/8-16 x 1-1/4"
22	48224	Bearing
23	462259	Idler Arm Assembly (incl. # 22)
24	425386	Mounting Bracket, Idler
25	04001-70	Bolt, Hex Head 1/2-13 x 1-1/4"
26	04030-06	Lockwasher, 1/2" Spring
27	484024	Wheel Assembly, 24 x 12-12 4-Ply (5-Hole)
	484023	Rim w/Valve Stem
	481852	Tire, 24 x 12-12 4-Ply
28	04028-02	Lug Nut, 1/2-20

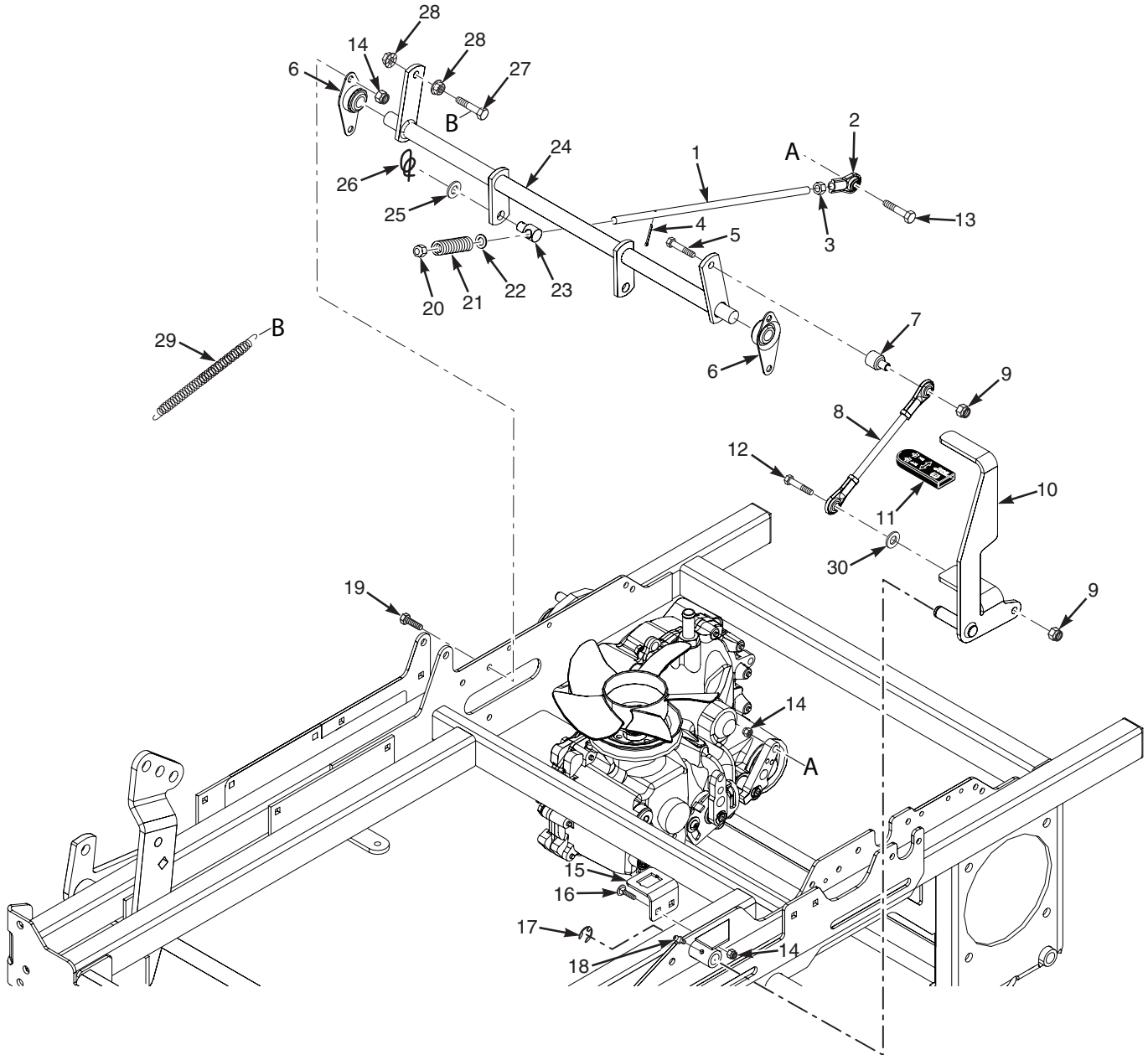
SCZ SPEED CONTROL COMPONENTS



SCZ SPEED CONTROL COMPONENTS

Ref. No.	Part No.	Description
1	484093	Knob, Soft Touch
2	04020-12	Nut, Jam 3/8-16 UNC
3	452142	Lever Weldment, Speed Control SCZ
4	04009-11	Bolt, Shoulder 3/8 x 1"
5	04040-05	Flatwasher, 3/8-.406 x .812 x .065
6	483601	Spring, Speed Control
7	04009-14	Bolt, Shoulder 3/8 x 3/8"
8	04019-03	Nut, Serrated Flange 5/16-18
9	452130	Control Weldment, Speed Range Adjust
	48114-04	Grease Fitting, 1/4-28 Self Tap
10	04001-20	Bolt, Hex Head 3/8-16 x 1-1/2"
11	04021-09	Nut, Elastic Stop 3/8-16
12	484187	Linkage Assembly, Upper Speed Control
	483339	Rod End, 3/8-24 RH
	04020-25	Nut, Jam 3/8-24 UNF
	483340	Rod End, 3/8-24 LH
	04020-26	Nut, Jam 3/8-24 UNF LH
13	04001-09	Bolt, Hex Head 5/16-18 x 1"
14	04117-01	Nut, Flange Head Elastic Stop 5/16-18
15	484149	Bearing, Self Align
16	04117-01	Nut, FLG HH Elastic Stop 5/16-18
17	04001-08	Bolt, Hex Head 5/16-18 x 3/4"
18	04069-02	Pin, Rue Cotter 1/2" Dia.
19	452138	Speed Control Bellcrank Weldment
20	44183	Rod, Speed Linkage
21	04021-18	Nut, Elastoc Stop 3/8-24
22	484175	Spring
23	04042-04	Flatwasher, 3/8-.406 x .734 x .063
24	43751	Bushing, Pivot
25	04061-01	Cotter Pin
26	04020-14	Nut, 3/8-24 UNF Jam
27	484177	Rod End, 3/8-24
28	04043-04	Flatwasher, 3/8-.391 x .938 x .105
29	43063	Spacer

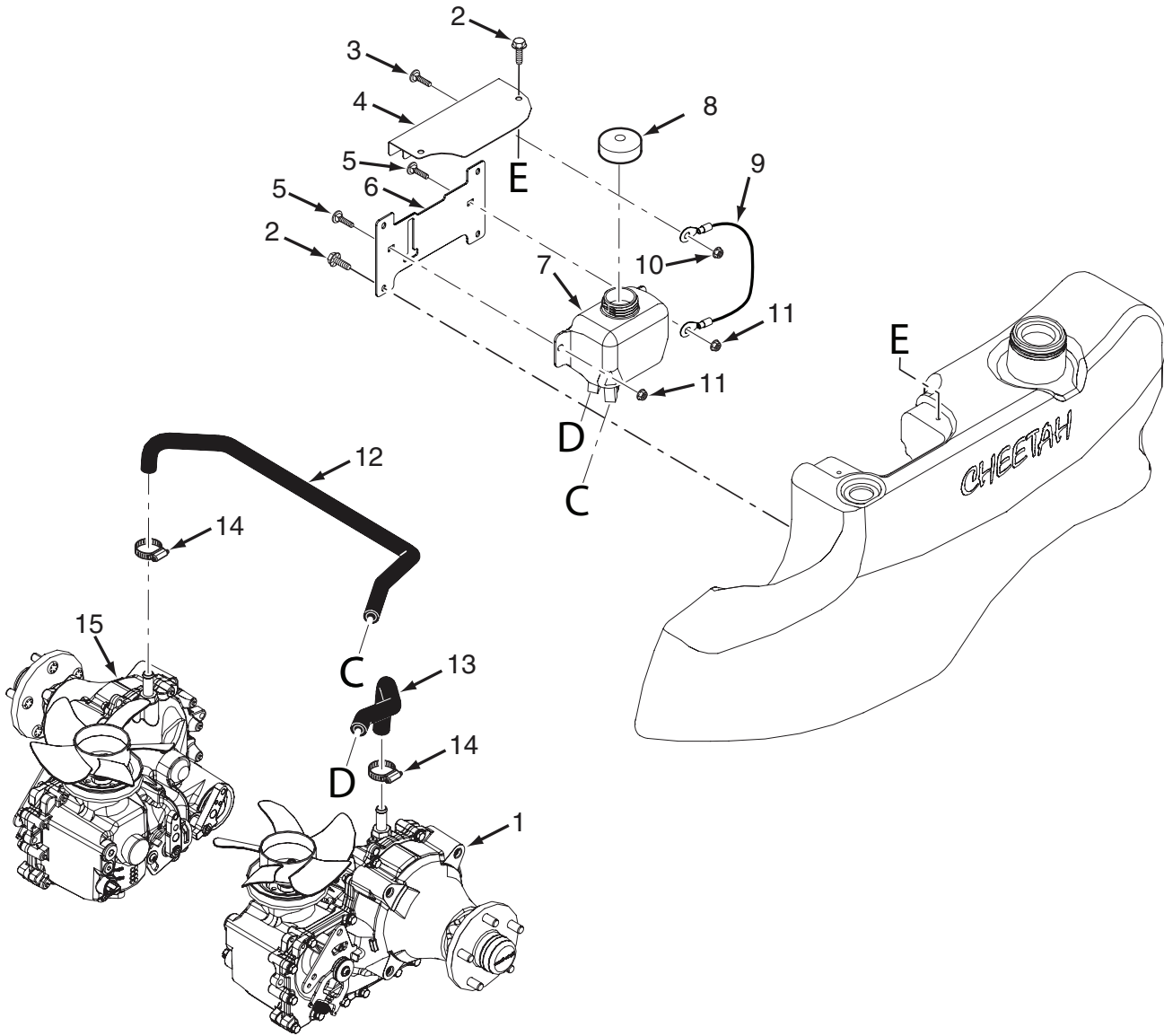
SCZ BRAKE COMPONENTS



SCZ BRAKE COMPONENTS

Ref. No.	Part No.	Description
1	04004-53	Link, Lower Brake
2	484177	Rod End, 3/8-24
3	04020-14	Nut, Jam 3/8-24 UNF
4	04061-01	Cotter Pin
5	04001-22	Bolt, Hex Head 3/8-16 x 2-3/4"
6	484149	Bearing, Self Align
7	43503	Pivot
8	484188	Linkage, Upper Brake
	483339	Rod End, 3/8-24 RH
	04020-25	Nut, Jam 3/8-24 UNF
	483340	Rod End, 3/8-24 LH
	04040-26	Nut, Jam 3/8-24 UNF LH
9	04021-09	Nut, Elastic Stop 3/8-16
10	462256	Brake Lever w/Grip
11	481548	Grip, Brake Lever
12	04001-20	Bolt, Hex Head 3/8-16 x 1-1/2"
13	04001-17	Bolt, Hex Head 3/8-16 x 2"
14	04117-01	Nut, Flange Head Elastic Stop 5/16-18
15	425388	Bracket, Brake Switch
16	04003-12	Bolt, Carriage 5/16-18 x 3/4"
17	04050-01	Retaining Ring, .625 External "E"
18	48114-04	Grease Fitting, 1/4-28 Self Tap
19	04001-08	Bolt, Hex Head 5/16-18 x 3/4"
20	04021-18	Nut, Elastic Stop 3/8-24
21	484182	Spring
22	04042-04	Flatwasher, 3/8-.406 x .734 x .063
23	43751	Bushing, Pivot
24	452221	Weldment, Brake Linkage
25	04043-04	Flatwasher, 3/8-.391 x .938 x .105
26	04069-02	Pin, Rue Cotter 1/2" Dia.
27	04001-136	Bolt, Hex Head 3/8-16 x 1-1/2" Grade 8
28	04019-04	Nut, Serrated Flange 3/8-16
29	484335	Spring
30	04043-04	Flatwasher, 3/8-.391 x .938 x .105 HD

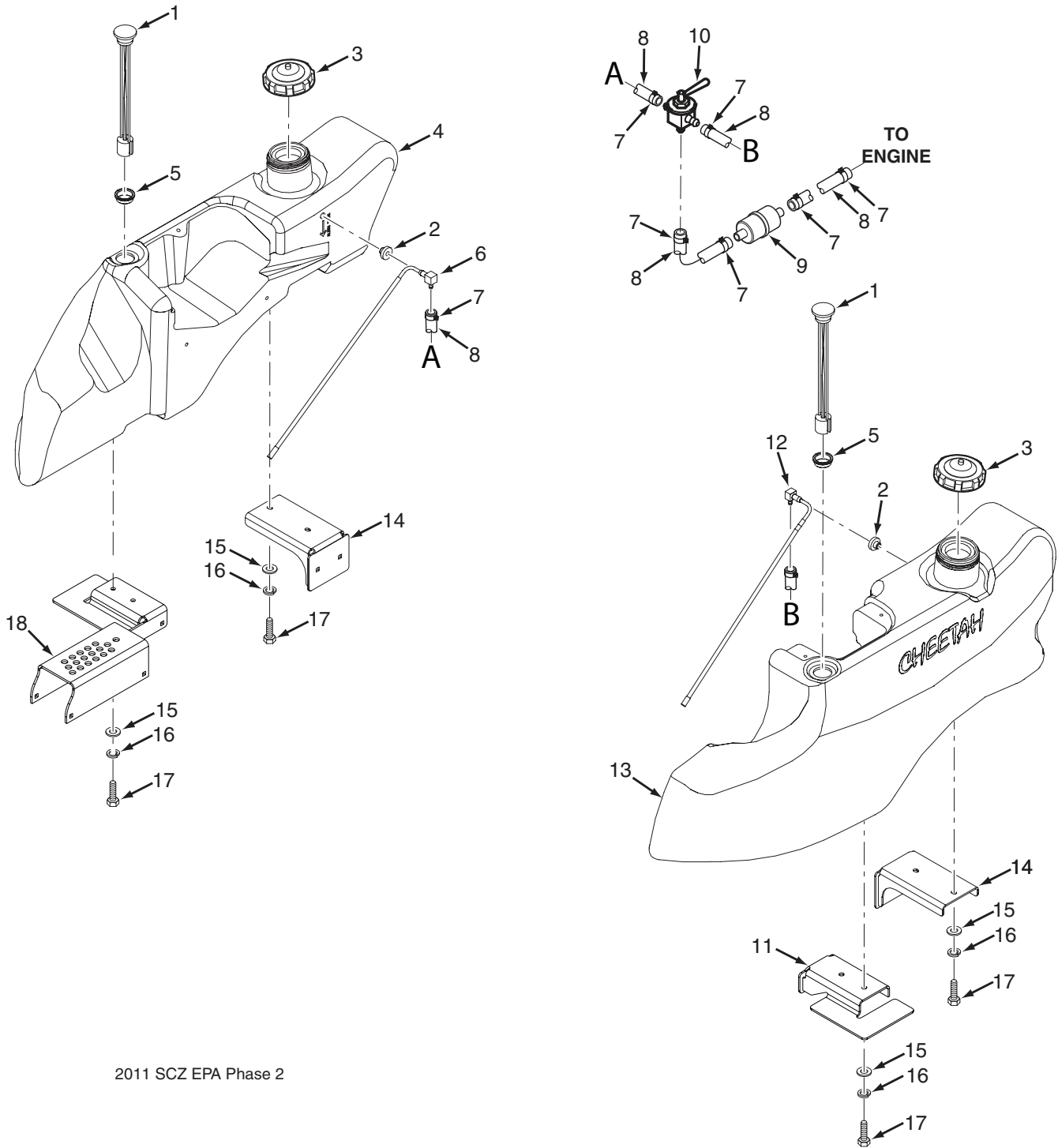
SCZ HYDRAULIC SYSTEM



SCZ HYDRAULIC SYSTEM

Ref. No.	Part No.	Description
1	483797	Transaxle, LH
2	04017-04	Bolt, Hex Head 1/4-20 X 1/2" Serrated Flange
3	04003-02	Bolt, Carriage 1/4-20 x 3/4"
4	425390	Cover, Oil Reservoir
5	04003-12	Bolt, Carriage 5/16-18 x 3/4"
6	425421	Plate, Hydro Tank Mount
7	462251	Hydraulic Tank Assembly (incl. # 26)
8	484138	Cap, Hydraulic Tank
9	484196	Lanyard, Hydraulic Tank
10	04021-08	Nut, Elastic Stop 1/4-20
11	04117-01	Nut, FLG HH Elastic Stop 5/16-18
12	484161	Hose, RH Transaxle
13	484160	Hose, LH Transaxle
14	48136-16	Clamp, 1" Max Dia.
15	483798	Transaxle, RH

SCZ FUEL SYSTEM - EPA PHASE 2 (models produced prior to 1/1/2011)

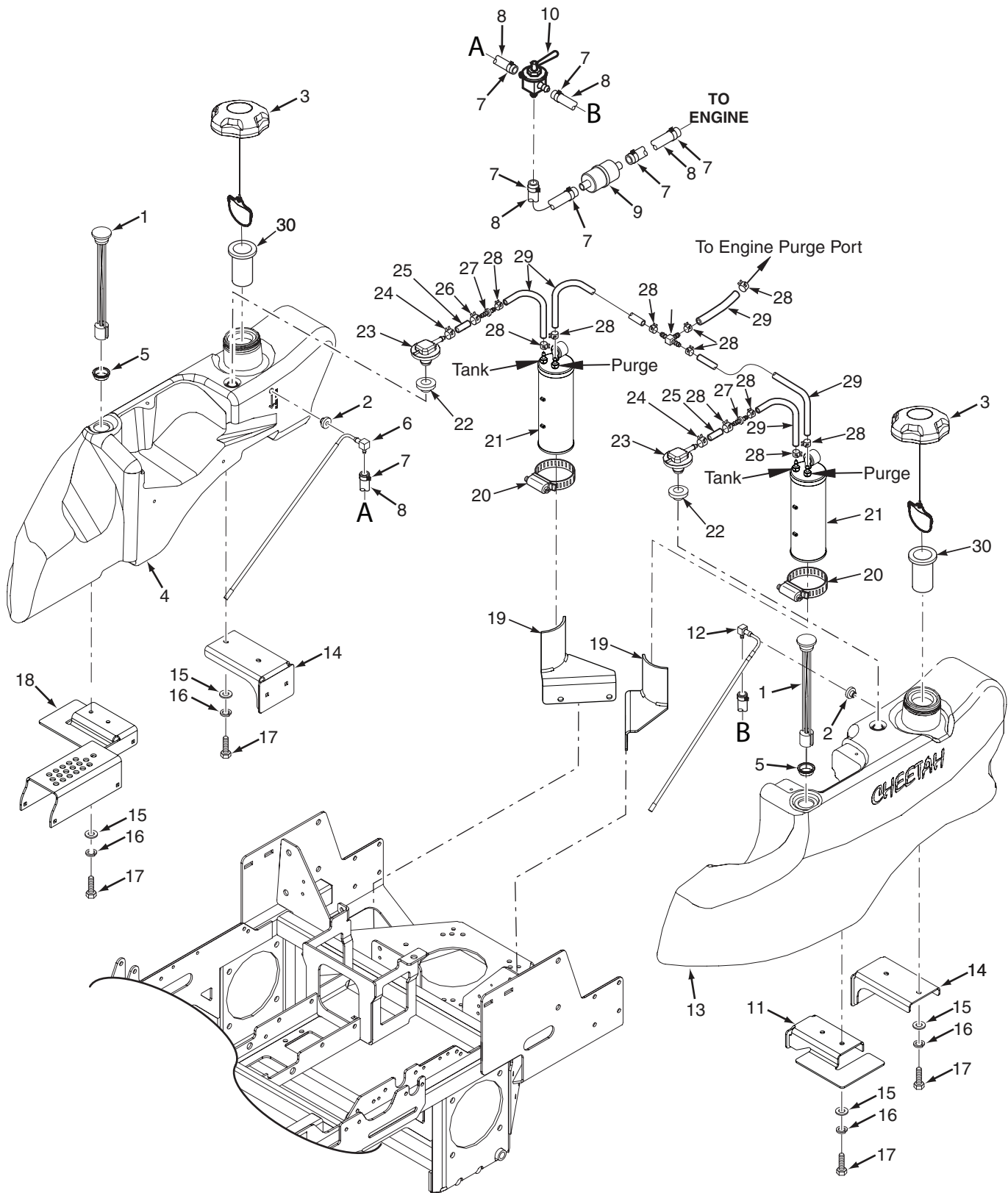


**SCZ FUEL SYSTEM - EPA PHASE 2
(models produced prior to 1/1/2011)**

Ref. No.	Part No.	Description
1	484323	Fuel Gauge
2	482571	Bushing, .56 Dia. Viton
3	483792	Cap, Fuel Tank
4	462245	Fuel Tank Assembly, RH (incl. #1, 2, 5, 6)
5	484242	Grommet
6	484145	Fuel Tube Assembly, RH
7	48059-01	Clamp, Fuel Hose 1/4" ID
8	483617	Fuel Hose, 1/4" Non-Perm (order by inch)
9	**	Fuel Filter
10	482212	Valve, Fuel Shut-Off
11	425573	Mounting Bracket, Fuel Tank Front
12	484162	Fuel Tube Assembly, LH
13	462244	Fuel Tank Assembly, LH (incl. #1, 2, 5, 12)
14	425350	Mounting Bracket, Fuel Tank Rear
15	04040-15	Flatwasher, 5/16-.375 x .875 x .083
16	04030-03	Lockwasher, 5/16" Spring
17	04001-08	Bolt, Hex Head 5/16-18 x 3/4"
18	425574	Adjustment Bracket, Upper Cut Height

** Available through the individual engine manufacturer.

SCZ FUEL SYSTEM - EPA PHASE 3 (models produced after to 1/1/2011)

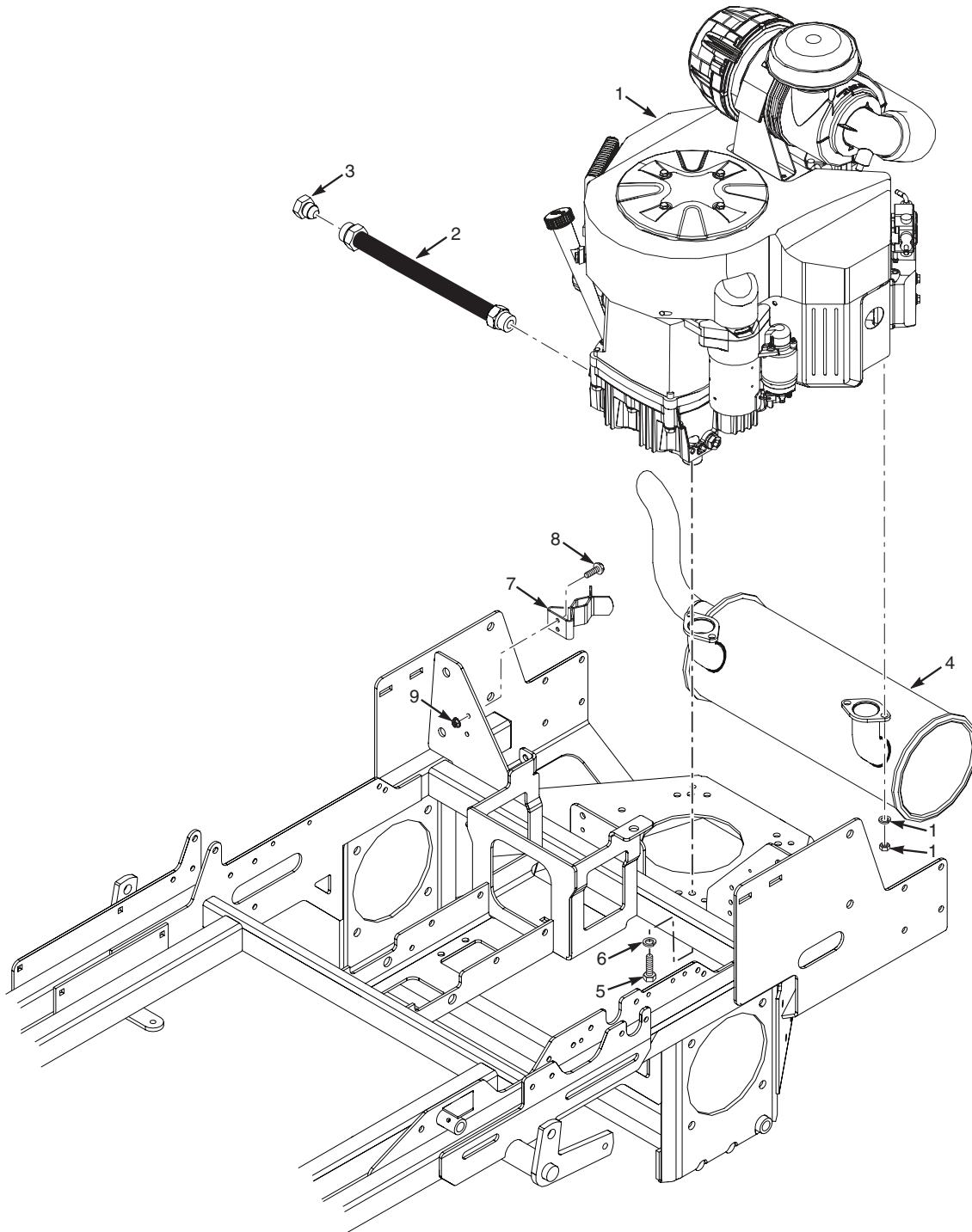


**SCZ SYSTEM - EPA PHASE 3
(models produced after to 1/1/2011)**

Ref. No.	Part No.	Description
1	484323	Fuel Gauge
2	482571	Bushing, .56 Dia. Viton
3	484286	Fuel Cap, Tethered
4	462294	Fuel Tank Assembly, RH (incl. #1, 2, 5, 6, 22, 23)
5	484242	Grommet
6	484145	Fuel Tube Assembly, RH
7	48059-01	Clamp, Fuel Hose 1/4" ID
8	483617	Fuel Hose, 1/4" Non-Perm (order by inch)
9	**	Fuel Filter
10	482212	Valve, Fuel Shut-Off
11	425573	Mounting Bracket, Fuel Tank Front
12	484162	Fuel Tube Assembly, LH
13	462293	Fuel Tank Assembly, LH (incl. #1, 2, 5, 12, 22, 23)
14	425350	Mounting Bracket, Fuel Tank Rear
15	04040-15	Flatwasher, 5/16-.375 x .875 x .083
16	04030-03	Lockwasher, 5/16" Spring
17	04001-08	Bolt, Hex Head 5/16-18 x 3/4"
18	425574	Adjustment Bracket, Upper Cut Height
19	452176	Canister Mounting Bracket
20	48136-17	Clamp
21	484342	Carbon Canister
22	484285	Grommet, Viton
23	484333	Remote Vent
24	48059-02	Clamp, Fuel Hose 7/32"
25	484347	Hose, 1/4" Vapor Recovery (order by inch)
26	48059-02	Clamp, Fuel Hose 7/32"
27	484343-01	Mender, 1/4 x 3/16 w/.02 Hole
28	48059-05	Clamp, Vapor Recovery Hose 3/16"
29	484345	Hose, 3/16"
30	484279-01	Tube, Fuel Tank Insert

** Available through the individual engine manufacturer.

SCZ ENGINE & ATTACHING PARTS

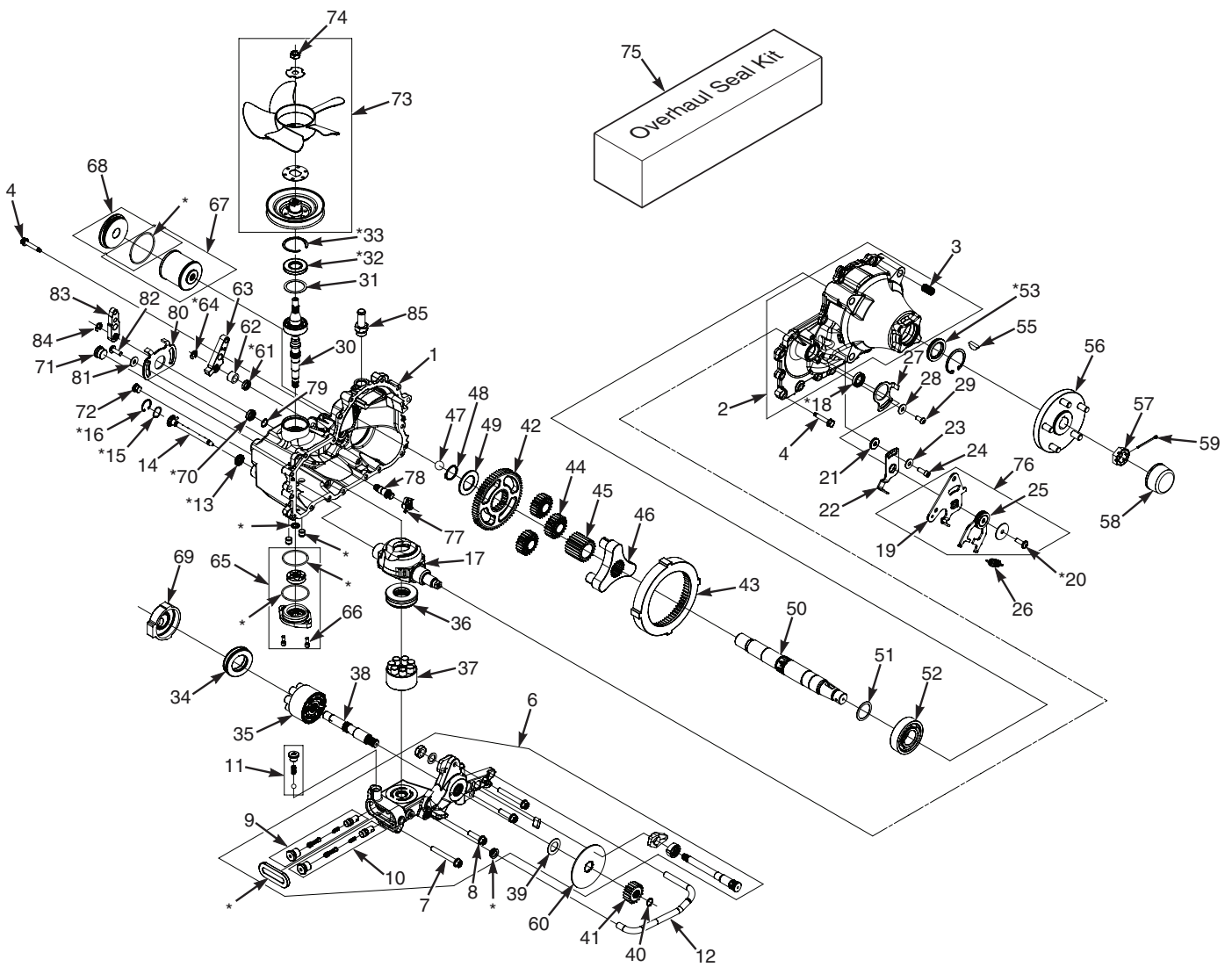


SCZ ENGINE & ATTACHING PARTS

Ref. No.	Part No.	Description
1	**484183	Engine, 31hp Kawasaki FX
	**484233	Engine, 32hp Briggs & Stratton
	**484232	Engine, 34hp Kawasaki FX
2	484303	Hose, Oil Drain, Kawasaki (incl. # 3)
	484171	Hose, Oil Drain, Briggs & Stratton (incl. # 3)
3	48771-02	Plug
4	484155	Muffler, Kawasaki FX - SCZ
	**	Muffler, Briggs & Stratton - SCZ
	484290	Pipe, Muffler Extention (Briggs & Stratton Only)
5	04001-32	Bolt, Hex Head 3/8-16 x 1-1/4" (Kawasaki)
	04001-11	Bolt, Hex Head 5/16-18 x 1-1/2" (Briggs & Stratton)
	04019-03	Nut, Serrated Flange 5/16-18 (Briggs & Stratton)
6	04030-04	Lockwasher, 3/8" Spring (Kawasaki)
7	484194	Spring Clip
8	04010-30	Screw, #8-32 x 1/2"
9	04021-17	Nut, Elastic Stop #8-32

** Available through the individual engine manufacturer.

ZT-5400 TRANSAXLE ASSEMBLY



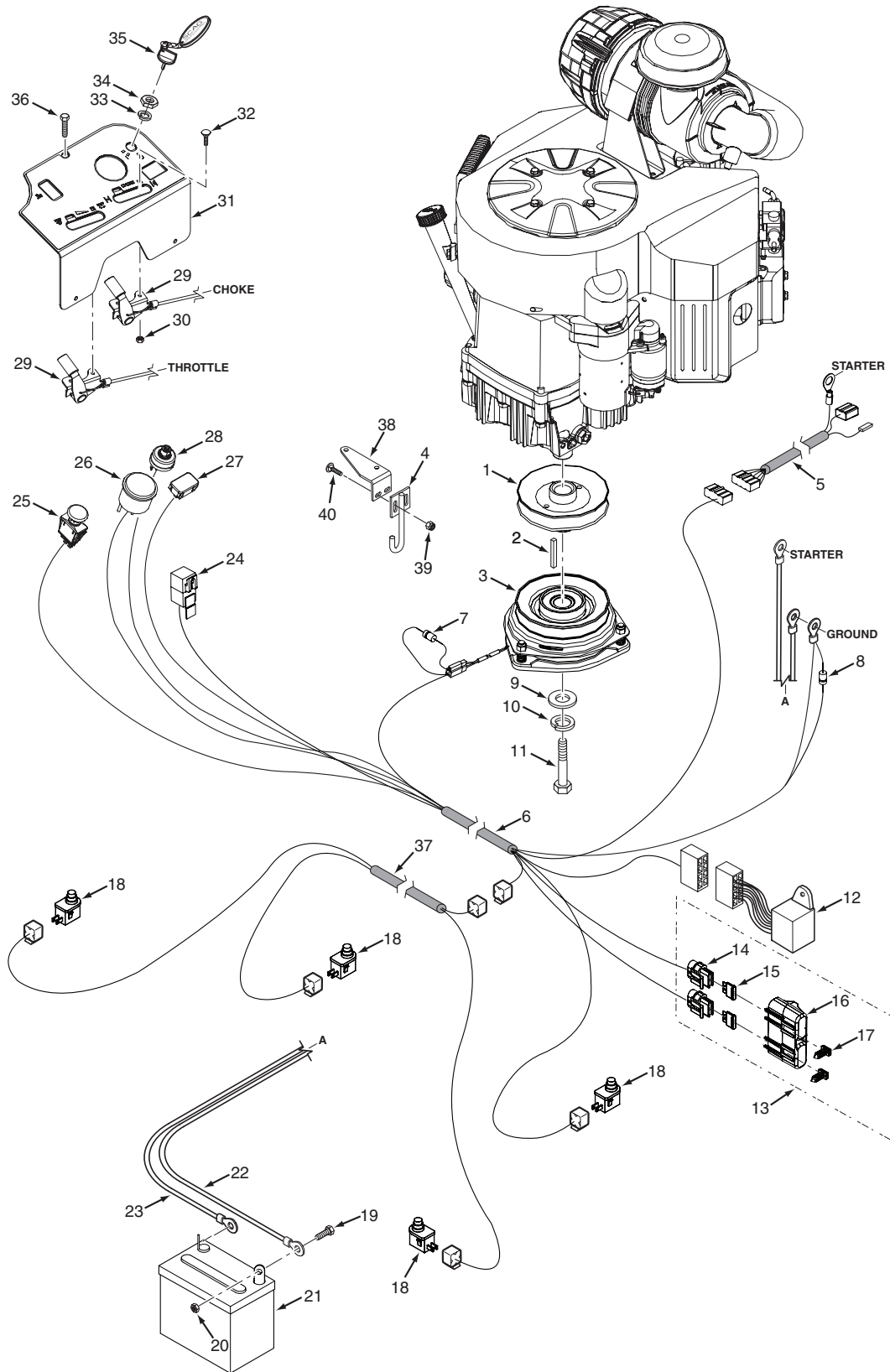
* - Included with Seal Kit Item # 75

ZT-5400 TRANSAXLE ASSEMBLY

Ref. No.	Part No.	Description
1	HG71946	Kit, Housing Main, LH
	HG71947	Kit, Housing Main, RH
2	HG71948	Kit, Housing Side, LH
	HG71948	Kit, Housing Side, RH
3	HG52973	Insert, 1/2-13 x 1-1/2" UNC
4	HG52974	Screw, Hex Flange 5/16-18 x 1-1/2"
5	HG50928	Tube, Sealant
6	HG71995	Kit, Center Section, LH
	HG71996	Kit, Center Section, RH
7	HG52977	Bolt, Hex Flange 3/8-16 x 3"
8	HG52137	Screw, Hex Flange Head 3/8-16 x 1-1/2"
9	HG71952	Kit, Shock Valve
10	HG71952	Kit, Shock Valve
11	HG71999	Kit, Charge Relief
12	HG52984	Tube, Filter, LH
	HG52983	Tube, Filter, RH
13	HG53197	Seal, Lip 12x 24 x 5 TC
14	HG71940	Kit, Bypass Actuator
15	HG53321	Spring, Wave
16	HG53322	Ring, Retaining, HO-100
17	HG52972	Swash Plate, 16cc. Machined
18	HG52989	Seal, Lip 22 x 32 x 7
19	HG53222	Arm, Control, LH
	HG53221	Arm, Control, RH
20	HG51812	TWHCS, 5/16-18 x 1" (Patch)
21	HG52527	Spacer, .320 x 1.005 x .179
22	HG51946	Arm, Neutral, LH
	HG51945	Arm, Neutral, RH
23	HG44130	Washer, .34 x .88 x .06
24	HG51616	SHCS, 5/16-24 x .875 (Patch)
25	HG52433	Assembly, RTN Uni-Directional (CCW) LH
	HG52434	Assembly, RTN Uni-Directional (CW) RH
26	HG51605	Spring, Extension, RTN - 44lbs
27	HG53190	Plate, Stop, LH
	HG53189	Plate, Stop, RH
28	HG44130	Washer, .34 x .88 x .06
29	HG53519	HBHCS, 5/16-18 x 3/4"
30	HG71941	Kit, Input Shaft
31	HG51279	Spacer
32	HG51280	Seal, Lip 25 x 52 x 7 TC
33	HG52650	Ring, Retaining Internal
34	HG53341	Bearing, Thrust 42 x 68 x 16
35	HG70082	Kit, Cylinder Block - 21cc.
36	HG52991	Bearing, Thrust 35 x 70 x 22
37	HG70735	Kit, Cylinder Block - 16cc.
38	HG52992	Shaft, Motor
39	HG52993	Washer, .89 x 1.50 x .04
40	HG44145	Ring, Retaining
41	HG52994	Gear, 19T
42	HG52996	Gear, 65T
43	HG52998	Gear, Ring 68T
44	HG52999	Gear, Planet 23T
45	HG53000	Gear, Sun 22T

Ref. No.	Part No.	Description
46	HG53001	Carrier
47	HG53002	Ball, Thrust .75
48	HG53003	Ring, Retaining 1-1/4"
49	HG53004	Spacer, Thrust, Axle
50	HG53005	Shaft, Axle
51	HG53006	Washer, 1.40 x 1.75 x .05
52	HG53007	Bearing, Ball 35 x 80 x 21
53	HG53008	Seal, Lip 1.375 x 2.062 x .250
54	HG50859	Ring, Retaining Internal
55	HG51796	Key, Shaft, Axle
56	HG72039	Kit, Hub, 5-Bolt
57	HG51821	Nut, Hex 1-20 Slotted
58	HG53724	Cap, Axle
59	HG51822	Pin, Cotter 9/64 x 2"
60	HG53012	Rotor, Brake
61	HG53015	Seal, .56 x .88 x .19
62	HG53356	Spacer, .57 x .86 x .53
63	HG53018	Handle, Actuating
64	HG53019	Ring, Retaining
65	HG71942	Kit, Charge Cover
66	HG9007300-2510	Screw, 1/4-20 x .625
67	HG71943	Kit, Filter
68	HG71944	Kit, Filter Plug
69	HG53026	Plate, Motor Swash
70	HG9008000-0127	Seal, 15 x 24 x 7
71	HG9005110-8700	Plug, 7/8-14
72	HG9005110-5600	Plug, 9/16-18
73	HG71906	Kit, Fan/Pulley
74	HG44133	Nut, Hex 1/2-20 w/Patch
75	HG71945	Seal Kit
76	HG72002	Kit, RTN Bi-Directional LH
	HG72001	Kit, RTN Bi-Directional RH
77	HG53028	Cam, 2-Speed
78	HG53029	Shaft, 2-Speed, Bevel
79	HG53030	Ring, Retaining External .59"
80	HG53034	Arm, Lock Down 2-Speed
81	HG44130	Washer, .34 x .88 x .06
82	HG53519	HBHCS, 5/16-18 x 3/4"
83	HG53193	Handle, Actuating
84	HG53019	Ring, Retaining External .375"
85	HG53037	Fitting, 7/8-14 SAE, .625 Beaded

SCZ ELECTRICAL SYSTEM



SCZ ELECTRICAL SYSTEM

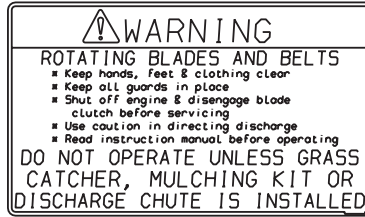
Ref. No.	Part No.	Description
1	484098	Pulley, 5.80 Dia. - 1.125 Bore
2	04063-23	Kay, 1/4 x 1/4 x 3-1/4"
3	461661	Electric Clutch w/Tag (GT-3.5)
	461826	Electric Clutch w/Tag (GT-5) - 72V
4	452157	Weldment, Anti-Rotation
5	482543	Wire Harness Adapter, Kawasaki
	482849	Wire Harness Adapter, Briggs & Stratton
6	484146	Wire Harness, SCZ
7	483958	Diode, 600V - 6A
8	482253	Diode
9	04041-28	Flatwasher, 7/16-.469 x 1.75 x .25
10	04030-05	Lockwasher, 7/16" Spring
11	04102-03	Bolt, Hex Head 7/16-20 x 2-1/4" w/Patch (Kawasaki)
	04xxx-xx	Bolt, Hex Head (Briggs & Stratton)
12	483599	Electric Module
13	483642	Double Fuse Assembly (incl. # 14, 15, 16, 17)
14	483629	Fuse Holder
15	48298	Fuse, 20 Amp
16	483571	Cover, Sealed Double
17	482588	Clip, Wire
18	481638	Switch, N.O.
19	04001-44	Bolt, Hex Head 1/4-20 x 1/2"
20	04020-02	Nut, 1/4-20
21	*	Battery
22	48029-11	Battery Cable, 27" Black
23	48029-13	Battery Cable, 25" Red
24	483013	Relay
25	483957	Switch, PTO - 10 Amp
26	481755	Ammeter
27	483537	Hourmeter
28	48798	Keyswitch w/Hardware
29	484200	Control Cable (Kawasaki)
	48xxxx	Control Cable (Briggs & Stratton)
30	04021-26	Nut, Elastic Stop #10-24
31	462261	Instrument Panel w/Decal
32	04003-43	Bolt, Carriage #10-24 x 1/2"
33	48017-03	Lockwasher, 5/8" Internal
34	48017-04	Nut, Hex 5/8-32
35	483366	Key, Ignition
	462069	Key Assembly w/Fob
36	04017-04	Bolt, Hex Head 1/4-20 x 1/2" Serrated Flange
37	484203	Wire Harness, Operator Platform -SCZ
38	425392	Bracket, Anti-Rotation
39	04117-01	Nut, FLF HH Elastic Stop 5/16-18
40	04003-04	Bolt, Carriage 5/16-18 x 1"

* Not available through Scag

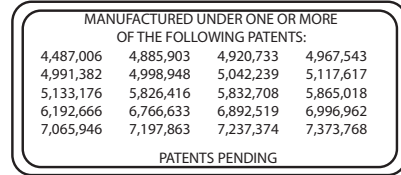
REPLACEMENT DECALS AND INFORMATION PLATES



1



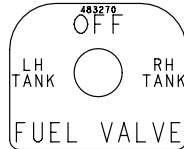
2



5



6



10



3



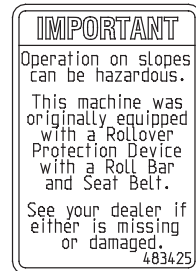
9



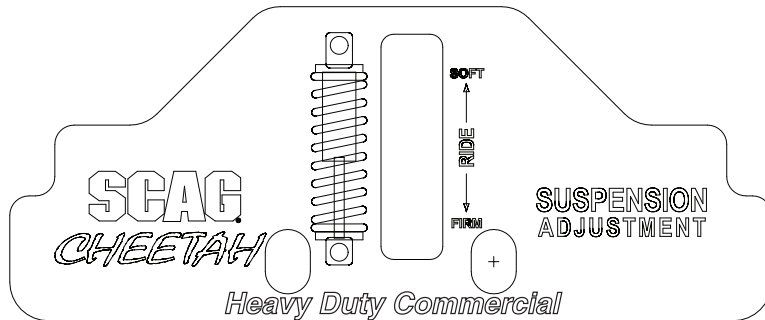
8



11



19



12



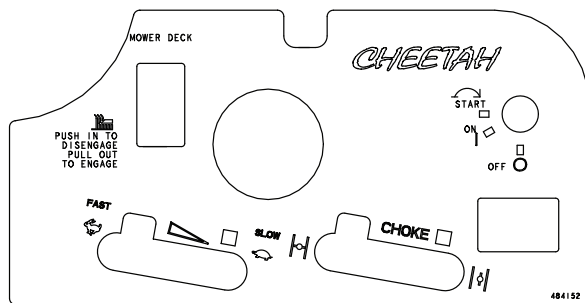
13



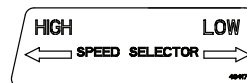
14

REPLACEMENT DECALS AND INFORMATION PLATES

Ref. No.	Part No.	Description
1	483407	Decal, Spinning Blades
2	483406	Decal, Knives
3	483201	Decal, 61" Velocity Plus
	483693	Decal, 72" Velocity Plus
4	483633	Decal, Seat Replacement
5	483044	Decal, Patents
6	482100	Decal, Traction Control
7	483405	Decal, Warning
8	48404	Decal, Made in USA
9	483402	Decal, Belt Cover
10	483270	Decal, Fuel Shut Off
11	484126	Decal, Scag Cheetah
12	484127	Decal, Suspension Adjustment
13	484134	Decal, Deck Height - LH
14	484135	Decal, Deck Height - RH
15	484152	Decal, Instrument Panel - SCZ
16	484174	Decal, Speed Control
17	484180	Decal, Start / Drive
18	484244	Decal, Adjustments - SCZ
19	483425	Decal, ROPS
**	46xxxx	Spanish Decal Kit, SCZ (not shown)
	01411	DVD Video, Tips for Safe Operation of Your Scag Zero-Turn Mower



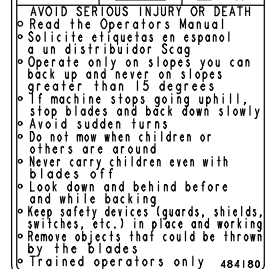
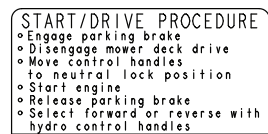
15



16



4



17

IMPORTANT ADJUSTMENT PROCEDURES:
READ OPERATORS MANUAL FOR MORE DETAILS

Check tire pressure - Drive tires-8 psi -
- Caster tires-25 psi

FREE WHEEL OPERATION
To move machine without running engine, turn valve on LH & RH transaxles from RUN to BY-PASS. (see operator's manual)

NEUTRAL ADJUSTMENT

To re-set neutral, have engine off and control levers in neutral. Loosen upper linkage hex nuts. Allow transmission to position linkage cable and tighten upper hex nuts. Repeat for opposite side. If wheels still creep after adjustment, see an authorized Scag dealer.

HYDRAULIC FLUID LEVEL
Check hydraulic fluid level while fluid is cool. Fluid level should be in sight window as shown. Fill with 20W50 motor oil only.

IMPORTANT
Do not overfill. Room for hot fluid expansion must be allowed or resulting expansion may cause leaks in the system

TRACKING ADJUSTMENT

If machine pulls to right, adjust LH control stop bolt CW (inward) to slow left wheel down. If machine pulls to left, adjust RH control stop bolt CW (inward) to slow right wheel down.

18



7

SCZ ELECTRICAL SCHEMATIC

